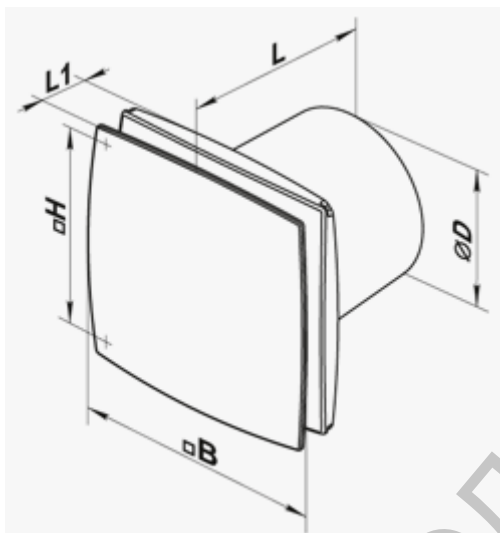


Vents 100 LD



Parameter	Value	Unit
	Voltage	220-240 V
Frequency	50	Hz
Power	14	W
	0,014	kW
Extract capacity	88	m ³ /h
	51,832	CFM
	24,464	l/s
	0,02446	m ³ /s
	1469,6	l/m
Current	0.85	A
R.P.M.	2300	min ⁻¹
Noise level at 3 m	33	dBA
Weight	0.6	kg
Index of protection	IP 34	class
Dimension of connection pipe	100	mm

Vents 100 LD



Sizes	øD	B	H	L	L1
mm	100	152	120	126	30

Ташев-Галвинг ООД
www.tashev-galving.com